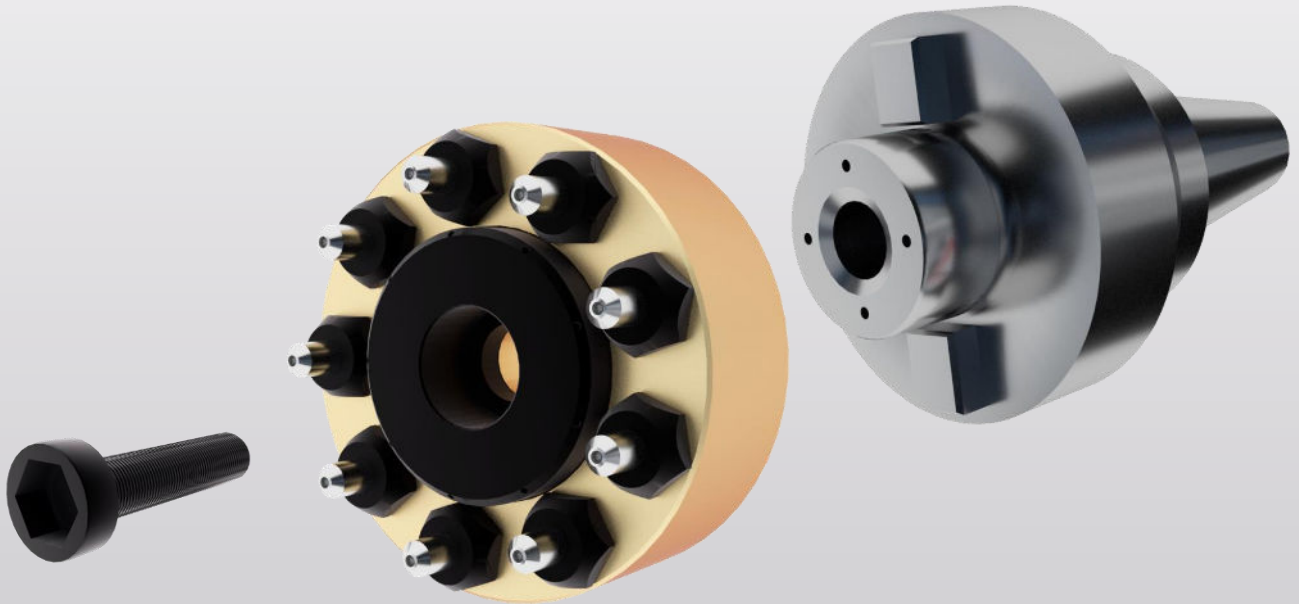
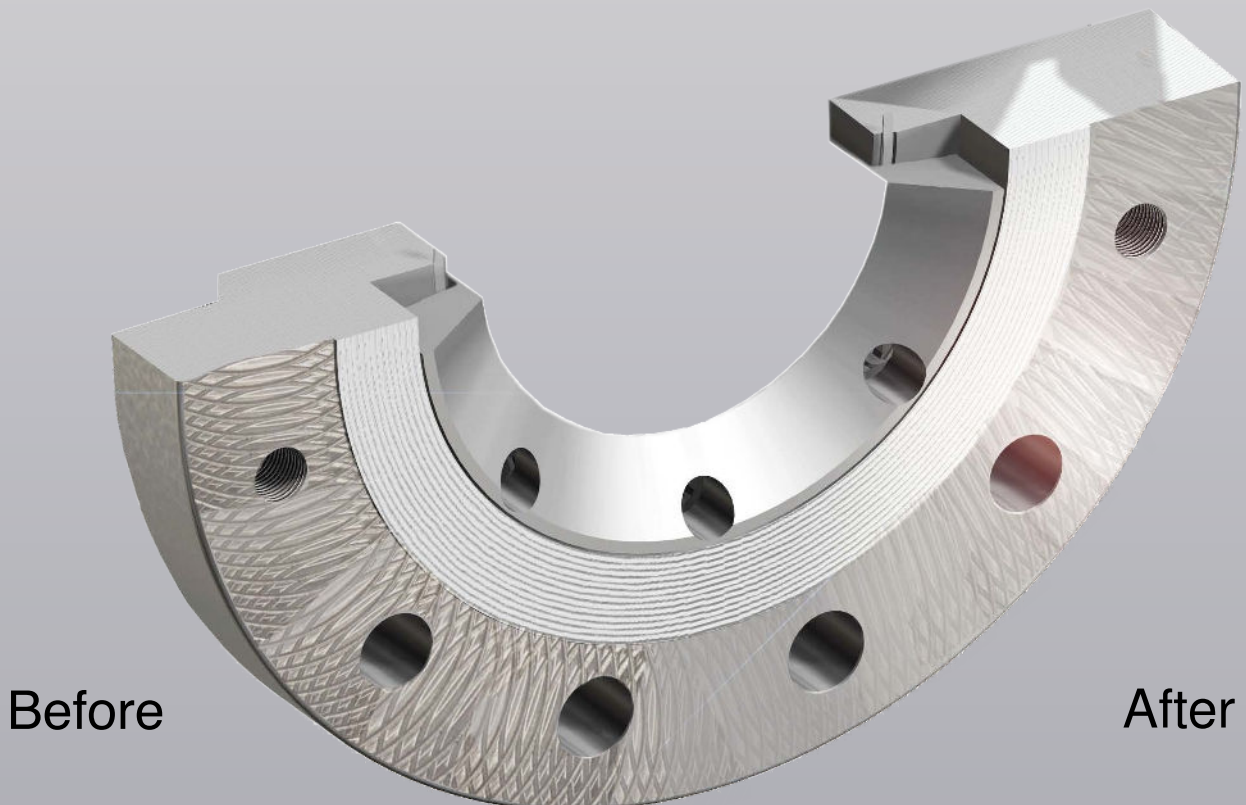


Diamond Burnish Face Mill Tools

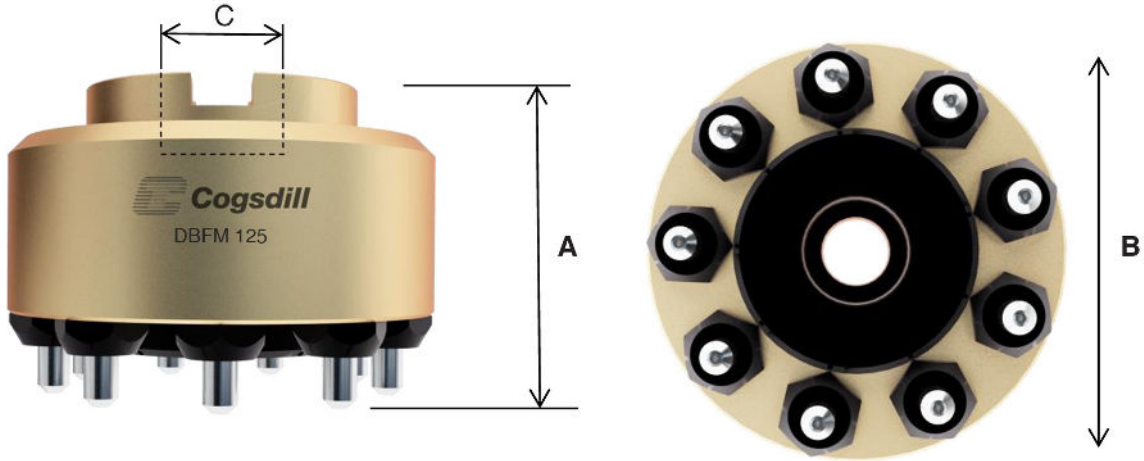


Burnish large flat surfaces *effortlessly*



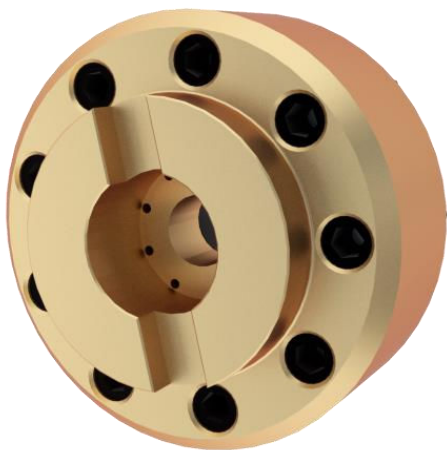
Diamond Burnish Face Mill Tools


Specifications



| Tool No | Size | A | B | C |
|----------|------|----|-----|-----|
| DBFM-63 | 63 | 89 | 90 | 27* |
| DBFM-80 | 80 | 89 | 110 | 32* |
| DBFM-100 | 100 | 89 | 130 | 40* |
| DBFM-125 | 125 | 89 | 155 | 40* |

*Standard Face Mill
Arbor Size



| Nib Code | Size | No. of Nibs |
|--|------|-------------|
|  DB1-040Q | 63 | 5 |
| | 80 | 7 |
| | 100 | 7 |
| | 125 | 9 |